

NELSON™ HEAT TRACING SYSTEMS

SV-7 VOLTAGE ADJUSTER

SPECIFICATION / APPLICATION

INSTALLATION

DESCRIPTION



ENCLOSURE

Cast Aluminum

CLASSIFICATIONS

NEMA Type 4, 7, 9 IP66

ELECTRICAL DATA

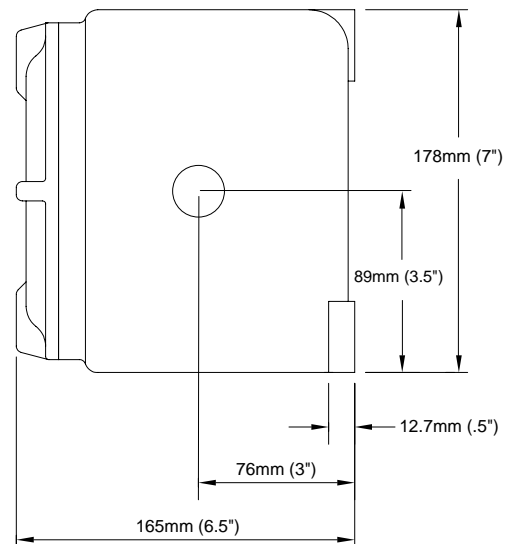
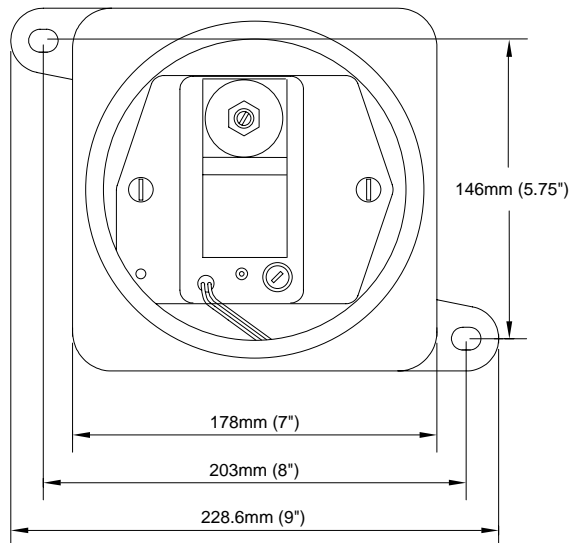
CSA, FM Ratings

Load Switching: 5 amp resistive @ 5-100VAC

Supply Voltage: 110-120VAC

The SV-7 voltage adjuster is used for reducing supply voltage between 30-100VAC. This is standardly used for MI cable designs when full voltage exceeds application requirements.

OUTLINE

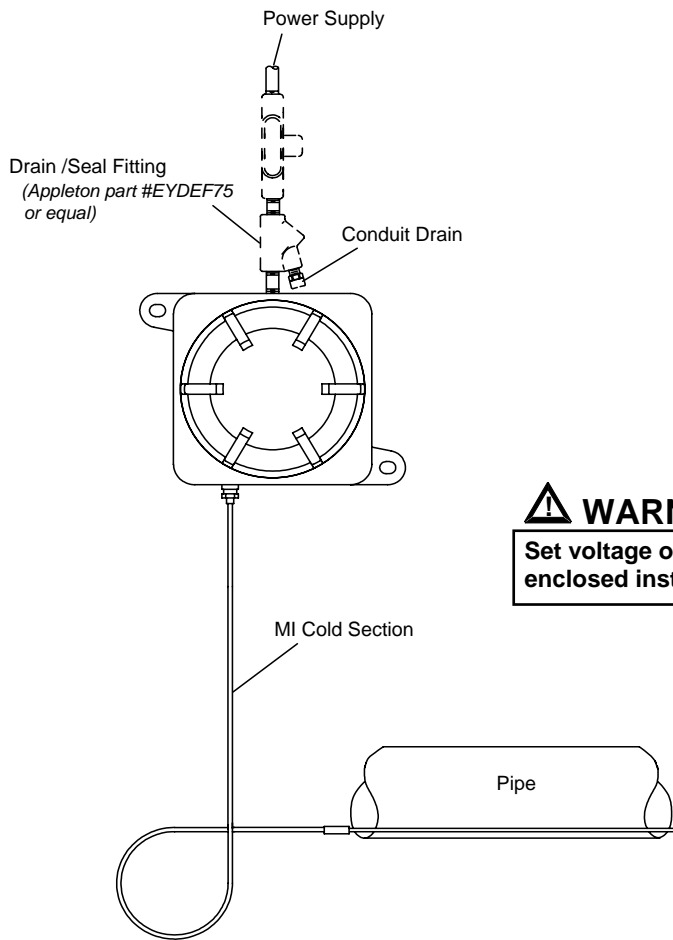


Approvals:

- FM - Class I; Div. 1; Groups B, C, D
- Class II; Div. 1; Groups E, F, G
- Class I; Zone 1; AEx d IIB+H₂

- CSA - Class I; Div. 1; Groups B, C, D
- Class II; Div. 1; Groups E, F, G
- Class I; Zone 1; Ex d IIB+H₂

INSTALLATION



⚠ WARNING:
Set voltage on SV per
enclosed instructions.

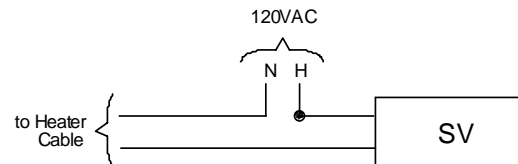
INSTALLATION NOTES:

- Securely mount enclosure and make electrical connections.
- Set voltage on SV per enclosed instructions.
- Reinstall enclosure cover to prevent damage from inclement weather.
- Insure all fittings associated with the power wiring are installed per applicable codes.
- When conduit type systems are used, low point drains / conduit drains are highly recommended.

ANNUAL MAINTENANCE:

Spray a coat of lubricant and rust preventative such as CRC Stor & Lube on the electrical wire connections.

WIRING DIAGRAM



Nelson Heat Tracing Systems products are supplied with a limited warranty. Complete Terms and Conditions may be found on Nelson's website at www.nelsonheaters.com.