

Splice Connection Kits

CSA:

Class I, Division 2, Groups B, C, D
Class II, Groups E, F, G (Canada Only)
Class III (Canada Only)
Enclosure Type 4X, Temperature Code T6 – T3
Class 1 Zone 1; Ex e II; T6 – T3 ①

FM:

Class I, Division 2, Groups B, C, D
Class II, Groups E, F, G; Class III
Enclosure Type 4X, IP66, Temperature Code T ①
Class 1 Zone 1; AEx e IIC T
-40°C ≤ Tamb ≤ 55°C

ATEX:

② II 2 G Ex e IIC T5 Gb
② II 2 D Ex tb IIIC T95° C
-40° C ≤ Tamb ≤ +55° C

Applications

- The Splice Connection Kit is designed to connect two heater cables to each other in a splice configuration
- This kit may be used to extend cable length, connect different wattage cables together or to provide access to service removable equipment
- The AXSC100 is designed per NEC/CEC requirements including standard terminal blocks sized for maximum 8 AWG wiring
- The EXSC100 is designed per IEC requirements including standard terminal blocks sized for maximum 6mm² wiring
- The HSC100 is a splice kit that is offered without an enclosure for the customers who provide the connection enclosure separately
- Kits are used to connect and terminate Nelson self-regulating heater cable series LT-J, LT-JT, HLT-J, XLT-J and CLT-JT ②

Features

- The enclosure must be rated to meet the specifics of the installed environment
- Global-reach industrial-grade universal connection kits for Hazardous Locations
- Certified for NEC/CEC (AX Series) and IEC (EX Series) installations
- Incorporate rugged, non-metallic construction rated for IP66 / NEMA 4X
- Designed with corrosion resistant, antistatic enclosures and components
- Easy entry and connectivity with terminal blocks and DIN rails
- Fit all wattages of Nelson LT-J, LT-JT, HLT-J, XLT-J and CLT-JT series self-regulating heater cables
- Min Installation Temp: -40°C (-40°F)
- Temp Use Range: -50°C to +55°C (-58°F to 131°F) ambient
- Conductor Size: 1 mm² (18 AWG) to 6 mm² (8 AWG)
- Voltage Range: 300 Vac Maximum
- Ingress Protection: NEMA 4X, IP66
- Max Amperage: 14 A CLT Series, 18 A LT, HLT Series, 25 A XLT Series
- Enclosure Material: Glass reinforced, carbon-loaded, polyester, UV resistant, polymer
- Weight: 1 Kg (2.2 lbs)

Accessories

- Pipe clamp to secure standoff to pipe (one is included in each kit):
 - PC03 – 80 mm (3 in) and smaller pipe
 - PC12 – 80 mm (3 in) to 12 inch (300 mm) pipe
 - PC20 – 300 mm (12 in) to 20 inch (500 mm) pipe
- Small pipe adaptor: HC-SPA – 25 mm (1.0 in) and smaller pipe

Ordering Information

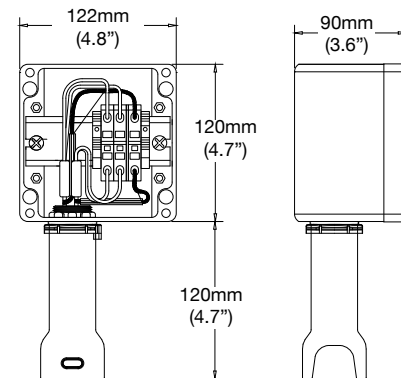
- One kit should be ordered for each type of connection needed
- A pipe clamp of the appropriate size for the pipe must be selected (-3 for PC03, -12 for PC12, -20 for PC20) for each connection kit
- A small pipe adaptor kit must be ordered for each kit for installation on 25mm (1 inch) or smaller pipe

① For temperature code, see heating cable or design information

② Ordinary Location Only



Dimensions in Millimeters (Inches)



Splice Connection Kits

CSA:
 Class I, Division 2, Groups B, C, D
 Class II, Groups E, F, G (Canada Only)
 Class III (Canada Only)
 Enclosure Type 4X, Temperature Code T6 – T3
 Class 1 Zone 1; Ex e II; T6 – T3 ①

FM:
 Class I, Division 2, Groups B, C, D
 Class II, Groups E, F, G; Class III
 Enclosure Type 4X, IP66, Temperature Code T ①
 Class 1 Zone 1; AEx e IIC T
 -40°C ≤ Tamb ≤ 55°C

ATEX:
 Ⓜ II 2 G Ex e IIC T5 Gb
 Ⓜ II 2 D Ex tb IIIC T95° C
 -40° C ≤ Tamb ≤ +55° C

Selection Table

| Kit Contents | AXSC100 | EXSC100 | HSC100 |
|---------------------------------------|---------|---------|--------|
| Junction Box, Lid, and Terminal Block | 1 | 1 | N/A |
| Standoff | 1 | 1 | 1 |
| 6" Guide Tubes | 4 | 4 | 4 |
| Enclosure Adapter | 1 | 1 | 1 |
| Silicone End Termination Fitting | 1 | 1 | 1 |
| Silicone Power Termination Fitting | 2 | 2 | 2 |
| Silicone Adhesive | 1 | 1 | 1 |
| Locknut | 1 | 1 | 1 |
| Cable Grommets | 1 | 1 | 1 |
| Green Wire Tubing | 2 | 2 | 2 |
| Cable Tie | 1 | 1 | 1 |